

4

3

2

1

THIS DRAWING IS UNPUBLISHED.
DIFFUSION RESEINTE AMP

RELEASED FOR PUBLICATION

.19

© COPYRIGHT 1997

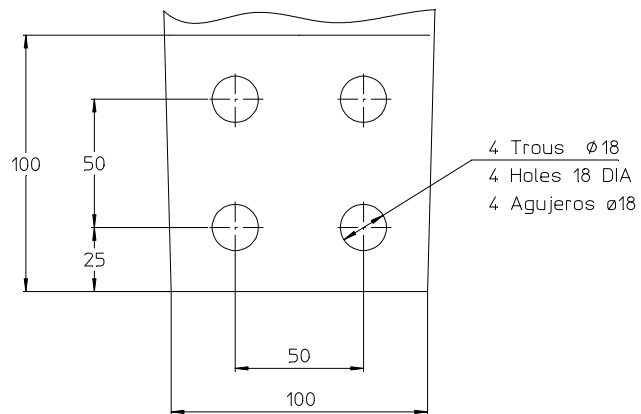
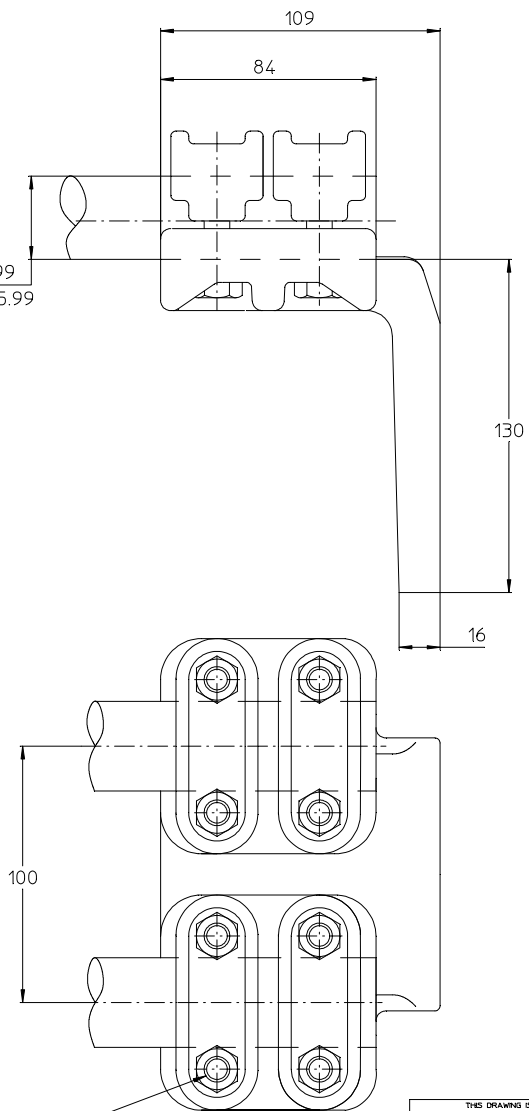
BY AMP INCORPORATED. ALL RIGHTS RESERVED.
TOUS DROITS RESERVES

LOC DIST
FH 2

REVISIONS

P	LTR REV	DESCRIPTION MODIFICATIONS	DATE	DWN DESS.	APVD APP.
	A	EQ00-0412-06	23-Oct-06	MP	LR

Cable ou tube ø31 à 35.99
Cable or tube 31DIA to 35.99
Cable o tubo ø31 a 35.99



- 37 Nm
- 8 Boulons ø10 Inox A2
 - 8 Bolts 10DIA Stainless steel A2
 - 8 Tornillos ø10 Acero inoxidable A2

<small>THIS DRAWING IS A CONTROLLED DOCUMENT FOR AMP INCORPORATED. IT IS SUBJECT TO CHANGE AND THE CONTROLLING ENGINEERING ORGANIZATION SHOULD BE CONTACTED FOR THE LATEST REVISION. CE PLAN EST UN DOCUMENT CONTROLÉ PAR AMP INCORPORATED. IL EST SUSCEPTIBLE D'ÊTRE REVISÉ, CONTACTER LE SERVICE TECHNIQUE D'AMP SIMEL POUR OBTENIR LA DERNIÈRE REVISION.</small>		DWN /DESSINE 23-Oct-06 PREVOT CHK /VERIFIE 23-Oct-06 GODARD		tyco Electronics		SIMEL 21220 Gevrey Chambertin FRANCE	
DIMENSIONS: mm		TOLERANCES UNLESS OTHERWISE SPECIFIED PER TOLERANCES NON SPECIFIEES SELON : -		APVD /APPROUVE ROYER		NAME TITRE CE 82 F 35 E100 100 C559	
		MATERIAL MATIERE -		FINISH FINITION -		SIZE FORMAT A3	
WEIGHT MASSE APPROX. 2.1 KG		APPLICATION SPEC SPEC. APPLICATION -		CAGE CODE 00779		DRAWING NO No PLAN C-1984248	
CUSTOMER DWG / PLAN CLIENT				UNQUEMENT FOUR REFERENCE		SCALE ECHELLE 1/2	
				SHEET FEUILLE 1 OF 1 DE 1		REV A	

ITEM: ○